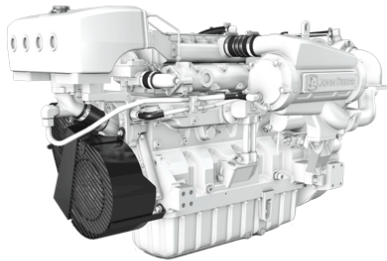


PowerTech™

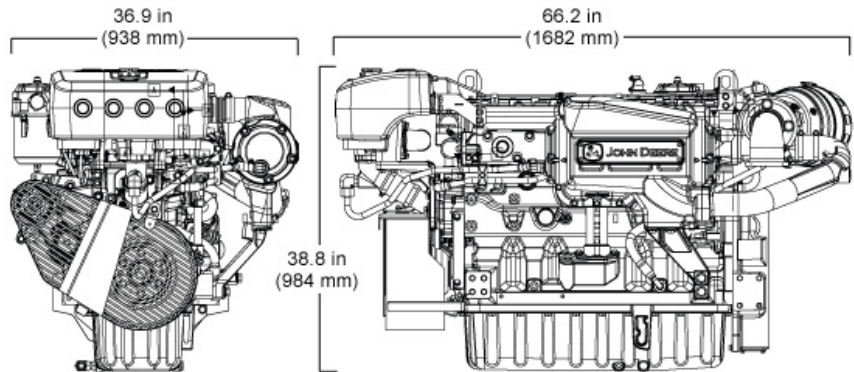
6090AFM75 Diesel Engine

Marine Generator Drive Engine Specifications



6090AFM75 shown

Dimensions



Dimensions shown in mm (in) may vary according to options selected. Contact your distributor for more information.

Emissions

EPA Commercial Marine Tier 2
IMO MARPOL Annex VI Compliant

General Data (Based on Standard Option Configuration)

Model	6090AFM75	Length maximum - mm (in)	1712 (67.4)
Number of cylinders	6	Length to rear face of flywheel housing - mm (in)	1415 (55.7)
Displacement - L (cu in)	9.0 (549)	Height - mm (in)	984 (38.8)
Bore and Stroke-- mm (in)	118 x 136 (4.65 x 5.35)	Height, crankshaft centerline to top - mm (in)	665 (26.2)
Engine Type	In-line, 4-Cycle	Height, crankshaft centerline to bottom - mm (in)	319 (12.6)
Aspiration	Turbocharged and air-to-coolant aftercooled	Weight, dry - kg (lb)	1011 (2229)

Classification Societies

ABS,BV,CCS,DNV-GL,LR

*SOLAS and other accessories available. Contact your distributor for details.

Features and Benefits

High Pressure Common Rail Fuel System

- Higher (33%) injection pressures, up to 1600 bar (23,000 psi)
- Variable injection pressure and timing control

Electronic Engine Control Unit (ECU)

- Advanced fault code diagnostics and customizable engine protections ensure reliability and uptime. Provides highly customizable features and trim to integrate your vessel.

Watercooled Turbocharger and Exhaust Manifold

- Cooler and quieter environment for vessel and crew
- Reduced external connections eliminates hoses and fittings that can leak or break

Replaceable Cylinder Liners

- Replaceable wet-type cylinder liners are precision-machined and hardened for long life. Allows engine to be rebuilt to original specifications.

Heat Exchanger

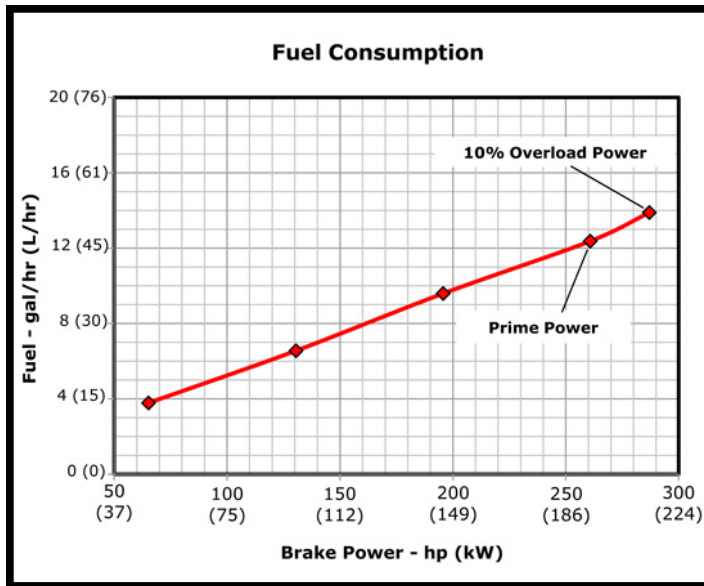
- High-capacity heat exchanger provides reliable operation in adverse conditions.

High Power Density

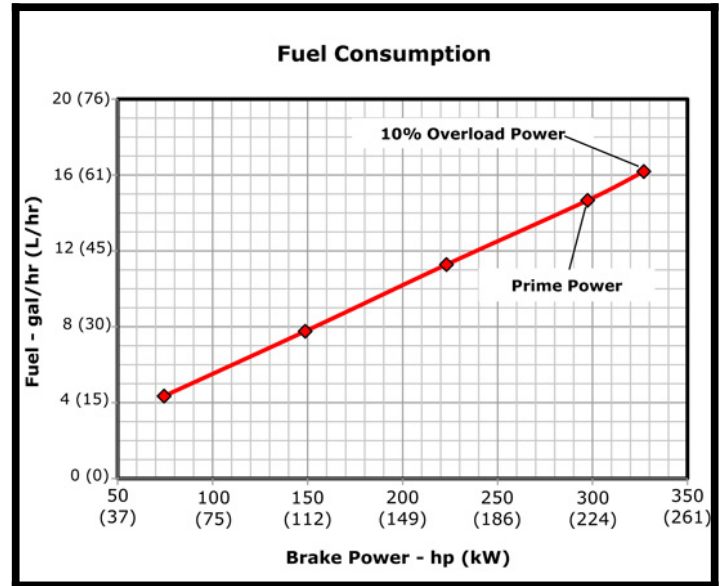
- High power density offers more power in a smaller package

Performance Curves

50Hz (1500 rpm)



60Hz (1800 rpm)



Performance data points shown at 25%, 50%, 75%, 100% (prime), and 110% (overload) power.

Calculated Generator-Set Rating

Rated speed Hz (rpm)	Generator efficiency %	Engine power		Power factor	Calculated generator set rating	
		Prime*			Prime*	
		kW	hp		kWe	kVA
50 (1500)	88-92	195	262	0.8	172-179	215-224
60 (1800)	88-92	222	298	0.8	195-204	244-255

*Prime power is the normal power an engine is capable of delivering with a variable load for an unlimited number of hours per year. This rating conforms to ISO 3046 and SAE J1995. This rating incorporates a 10 percent overload capability, and conforms to ISO 8528 prime power.

See your John Deere Power Systems engine distributor or marine dealer for more detailed performance information.